

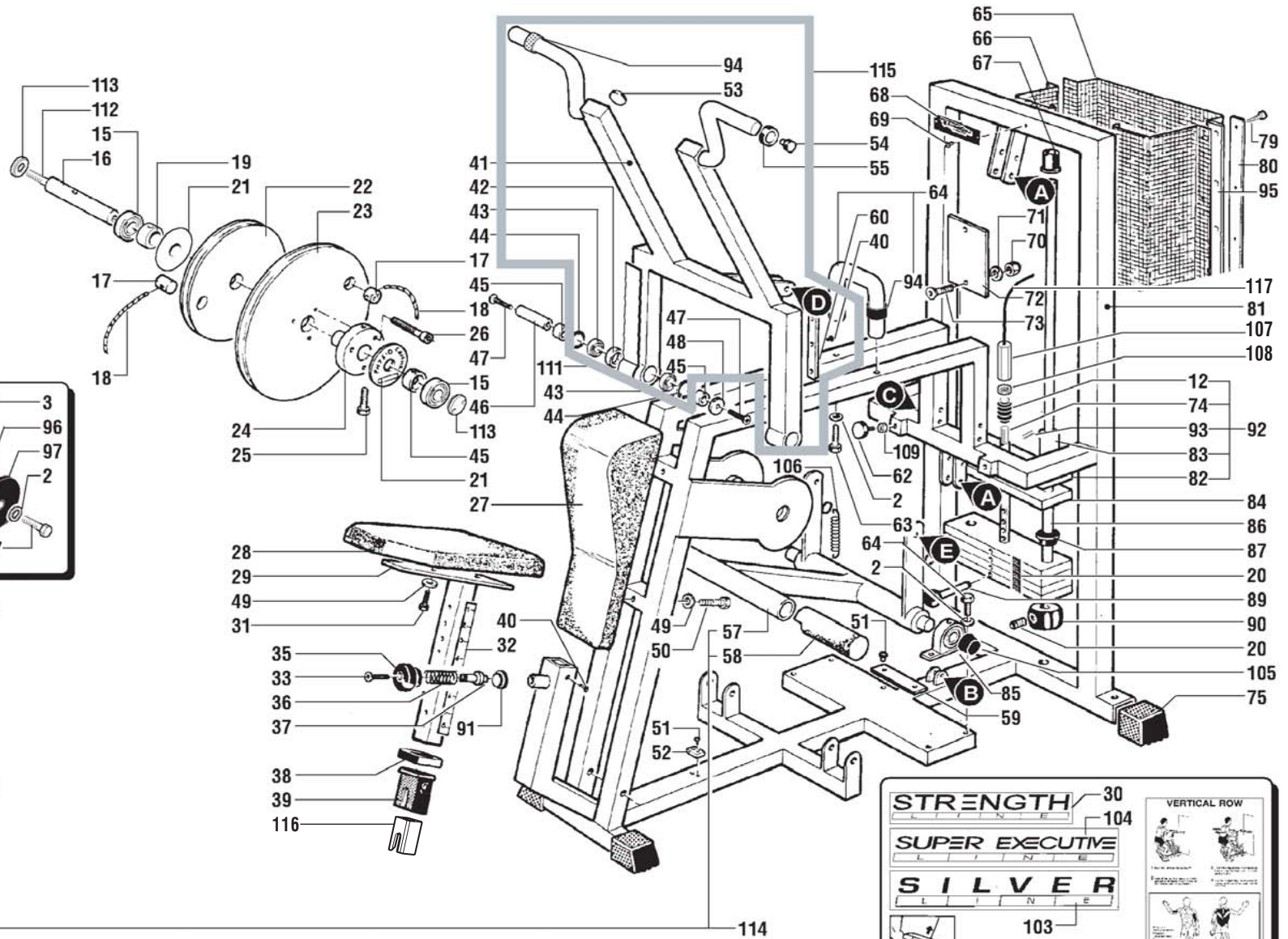
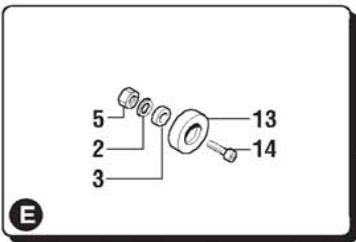
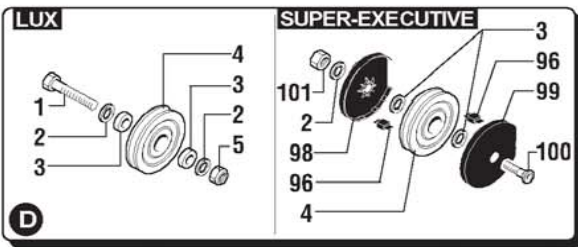
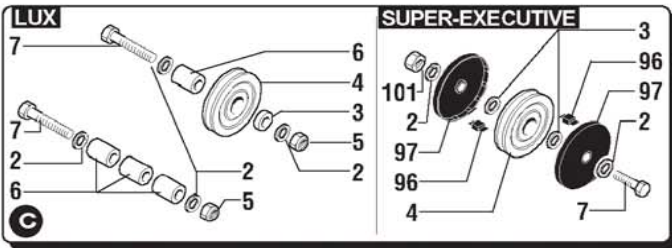
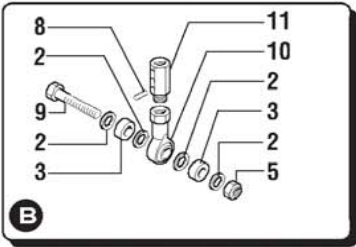
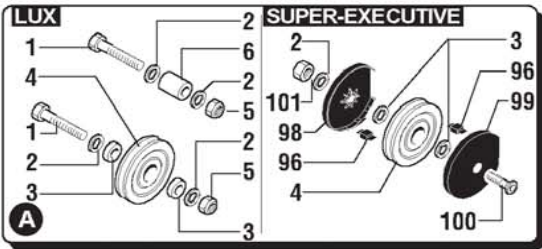
|                        |     |                     |
|------------------------|-----|---------------------|
| <b>STRENGTH</b>        | 30  | <p>VERTICAL ROW</p> |
| <b>SUPER EXECUTIVE</b> | 104 |                     |
| <b>SILVER</b>          |     |                     |
| <b>SILVER</b>          |     |                     |

103  
102  
110

| Rif. Ref. | Codice Code | Specifica Specification | Descrizione        | Description      |
|-----------|-------------|-------------------------|--------------------|------------------|
| 1         | OZD018      | TE 8.8 M 10X50 DACRO    | Vite               | Screw            |
| 2         | OZD305      | ø 10x21 DACRO           | Rondella           | Washer           |
| 3         | 0B304       | ø 10x17x6               | Distanziale        | Spacer           |
| 4         | 0U001       | ø 100                   | Carrucola          | Pulley           |
| 5         | OZD403      | M10 DACRO               | Dado autobloccante | Self-locking nut |
| 6         | 0B315       | ø 17x10,5x20            | Distanziale        | Spacer           |
| 7         | OZD026      | TE 8.8 10x160 DACRO     | Vite               | Screw            |
| 8         | OZ703       | M8x10 DACRO             | Grano              | Grub screw       |
| 9         | OZD019      | TE 8.8 10X55 DACRO      | Vite               | Screw            |
| 10        | 0K000706AA  | ø 10 M10                | Snodo sferico      | Ball joint       |
| 11        | 0B016       |                         | Attacco            | Connection       |
| 12        | 0G000032    |                         | Soffietto          | Bellows          |
| 13        | 0U117       | ø 50                    | Carrucola          | Pulley           |
| 14        | OZD104      | TCEI 8.8 10x40 DACRO    | Vite               | Screw            |
| 15        | 0K006       |                         | Cuscinetto         | Bearing          |
| 16        | 0P668       |                         | Perno              | Pin              |
| 17        | 0P653       |                         | Perno              | Pin              |
| 18        | 0V634       | L=1920                  | Cavo               | Cable            |
| 19        | 0B228       |                         | Distanziale        | Spacer           |
| 20        | 0E274-*     |                         | Adesivo            | Sticker          |
| 21        | 0E110       |                         | Adesivo            | Sticker          |
| 22        | 0U418       |                         | Camma "Physio"     | Cam "physio"     |
| 23        | 0U422       |                         | Camma "Physio"     | Cam "physio"     |
| 24        | 0V226       |                         | Mozzo              | Hub              |
| 25        | OZD018      | TE 8.8 M 10X50 DACRO    | Vite               | Screw            |
| 26        | OZD113      | TCEI 8.8 8X55 DACRO     | Vite               | Screw            |
| 27        | 0I281-*     |                         | Imbottitura        | Upholstery       |
| 28        | 0I245-*     |                         | Imbottitura        | Upholstery       |
| 29        | 0N905       |                         | Supporto seduta    | Seat support     |
| 30        | 0E102-*     |                         | Adesivo            | Sticker          |
| 31        | OZD003      | TE 8.8 8x30 DACRO       | Vite               | Screw            |
| 32        | 0E257       |                         | Adesivo            | Sticker          |
| 33        | OZD708      | TBLH38.8M5x12DACRO      | Vite               | Screw            |
| 35        | 0K219-NE    |                         | Pomello            | Knob             |
| 36        | 0M004       | ø 1,2x55                | Molla              | Spring           |
| 37        | 0P631       |                         | Perno              | Pin              |
| 38        | 0G047       | ø 60x60x20              | Anello di battuta  | Stop ring        |
| 39        | 0B104       |                         | Boccola            | Bushing          |
| 40        | OZ603       | ø 4x10                  | Rivetto            | Rivet            |
| 41        | 0D161-*     |                         | Braccio            | Arm              |
| 42        | 0B205       | ø 51x40x8               | Distanziale        | Spacer           |
| 43        | 0K006       |                         | Cuscinetto         | Bearing          |
| 44        | OZ537       | ø 52                    | Seeger             | Snap ring        |
| 45        | 0B209       | ø 35x12x25,5            | Distanziale        | Spacer           |
| 46        | 0P662       | ø 25x77                 | Perno              | Pin              |
| 47        | OZD216      | TSEI 10x25 DACRO        | Vite               | Screw            |
| 48        | 0B404       | ø28                     | Rondella           | Washer           |
| 49        | OZD304      | ø 8x24 DACRO            | Rondella           | Washer           |
| 50        | OZD010      | TE 8.8 8x75 DACRO       | Vite               | Screw            |
| 51        | OZ610       | 4.8x16                  | Rivetto            | Rivet            |
| 52        | 0G012       | ø 40x50                 | Tampone            | Pad              |
| 53        | 0G0101      |                         | Rondella           | Washer           |
| 54        | 0G044       | ø 30                    | Tappo              | Plug             |
| 55        | 0B328-GG    | ø 40x12                 | Distanziale        | Spacer           |
| 57        | 0D162-*     |                         | Leva               | Lever            |

| Rif. Ref. | Codice Code | Specifica Specification | Descrizione             | Description          |
|-----------|-------------|-------------------------|-------------------------|----------------------|
| 58        | 0G457       | ø 48x180                | Pedana                  | Foot board           |
| 59        | 0G022       |                         | Staffa                  | Bracket              |
| 60        | 0V229       | 20x3x240                | Piatto                  | Plate                |
| 61        | 6N524       |                         | Maniglia completa       | Complete handle      |
| 62        | 0G011-GG    | ø 64                    | Piede di registro       | Adjusting foot       |
| 63        | OZD034      | TE 8.8 10X20 DACRO      | Vite                    | Screw                |
| 64        | OZD032      | TE 8.8 10x150 DACRO     | Vite                    | Screw                |
| 65        | 0C505-*     | 1610                    | Carter                  | Casing               |
| 66        | 0C532-*     | 1610                    | Carter                  | Casing               |
| 67        | 0G024       |                         | Finecorsa               | Stop                 |
| 68        | 0E149AA     | (SILVER LINE)           | Adesivo                 | Sticker              |
|           | 0E501       |                         | Targhetta "Technogym"   | Technogym plate      |
| 69        | OZ602       | ø 3x10                  | Rivetto                 | Rivet                |
| 70        | OZ412       | M4                      | Dado autobloccante      | Self-locking nut     |
| 71        | OZD301      | ø5x15 DACRO             | Rondella                | Washer               |
| 72        | A047        |                         | Supporto tabella        | Table support        |
| 73        | OZD219      | TSEI 10.9 4x10 DACRO    | Vite                    | Screw                |
| 74        | 0P252       | 100 Kg.                 | Asta                    | Bar                  |
|           | 0P269       | 120 Kg.                 | Asta                    | Bar                  |
| 75        | 0V215       |                         | Piede telaio            | Frame foot           |
| 79        | OZ7024      | ø 4.8x19                | Vite autofilettante     | Self-threading screw |
| 80        | 0C572-*     |                         | Staffa fissaggio carter | Case fixing bracket  |
| 81        | 0D052-*     |                         | Telaio                  | Frame                |
| 82        | 0F110-*     |                         | Piastra                 | Plate                |
| 83        | 0B111AB     |                         | Boccola                 | Bushing              |
| 84        | 0F101-*     |                         | Piastra                 | Plate                |
| 85        | 0K402       |                         | Supporto                | Holder               |
| 86        | 0P102AA     | ø 20x1670               | Barra                   | Bar                  |
|           | 0B178AA     |                         | Boccola alta            | Thick bushing        |
|           | 0B000562AA  |                         | Boccola bassa           | Thin bushing         |
|           | 0B000563AA  |                         | Boccola media           | Medium bushing       |
| 89        | H0002065AA  |                         | Pomello con calamita    | Knob with magnet     |
| 90        | 0G010       |                         | Antivibrante            | Damper               |
| 91        | 0G040       | ø 25                    | Tappo                   | Plug                 |

| * Aggiungere al codice la sigla del colore desiderato<br>Complete the code with any color abbreviation from the list below  |  |
|---|--|
| <b>Telaio<br/>Frame</b>   | <b>BN</b> = Bianco - White • <b>BL</b> = Blu - Blue • <b>GL</b> = Giallo - Yellow • <b>GR</b> = Grigio - Grey • <b>NR</b> = Nero - Black • <b>RS</b> = Rosso - Red • <b>RV</b> = Grigio REV - REV Grey • <b>AL</b> = Silver Line - Silver Line   |
| <b>Imbottitura<br/>Upholstery</b>   | <b>A</b> = Verde chiaro - Light green • <b>B</b> = Blu chiaro - Light blue • <b>D</b> = Rosso - Red • <b>E</b> = Blu scuro - Dark blue • <b>F</b> = Verde scuro - Dark green • <b>G</b> = Grigio - Grey • <b>H</b> = Marrone - Brown • <b>L</b> = Nero - Black • <b>P</b> = Cuoio chiaro - Light brown • <b>R</b> = Verde chiaro - Light green • <b>S</b> = Blu - Blue |
| <b>Pacco pesi<br/>Weightstack</b>   | <b>1</b> = Verniciato nero - Black painted • <b>2</b> = Rosso - Red • <b>3</b> = Grigio - Grey • <b>4</b> = Bianco - White • <b>5</b> = Giallo - Yellow • <b>6</b> = Blu - Blue • <b>7</b> = Verde - Green • <b>8</b> = Cromato - Chromium plated  |
| <b>Protezione pacco pesi<br/>Weightstack protection</b>   | <b>BN</b> = Bianco - White • <b>BL</b> = Blu - Blue • <b>GL</b> = Giallo - Yellow • <b>GR</b> = Grigio - Grey • <b>NR</b> = Nero - Black • <b>RS</b> = Rosso - Red • <b>RV</b> = Grigio REV - REV Grey • <b>AL</b> = Silver Line - Silver Line • <b>GG</b> = Antracite (Silver line) - Anthracite (Silver line)  |
| <b>Adesivo<br/>Stickers</b>   | <b>B</b> = Bianco - White • <b>N</b> = Nero - Black  |
| * Aggiungere al codice la sigla della lingua desiderata<br>Complete the code with any language abbreviation from the list below                                   |  |
| <b>ITA</b> = Italiano - Italian • <b>ING</b> = Inglese - English • <b>FRA</b> = Francese - French • <b>TED</b> = Tedesco - German • <b>OLA</b> = Olandese - Dutch |  |



|                        |     |                     |
|------------------------|-----|---------------------|
| <b>STRENGTH</b>        | 30  | <p>VERTICAL ROW</p> |
| <b>SUPER EXECUTIVE</b> | 104 |                     |
| <b>SILVER</b>          |     |                     |
| <b>SILVER</b>          |     |                     |

103  
102  
110

| Rif. Ref. | Codice Code  | Specifica Specification | Descrizione Description | Description         |
|-----------|--------------|-------------------------|-------------------------|---------------------|
| 92        | 6FM046-[*]-0 | 100 Kg.                 | Crociera                | Cross member        |
| 92        | 6FM046-[*]-2 | 120 Kg.                 | Crociera                | Cross member        |
| 93        | 0Z672        | ø 8x16 DACRO            | Grano                   | Grub screw          |
| 94        | 0G301        | ø 25                    | Gomma                   | Rubber hose         |
| 95        | 0C573-[*]    |                         | Staffa fissaggio carter | Case fixing bracket |
| 96        | 0V2020       |                         | Linguetta               | Key                 |
| 97        | 0V2038       |                         | Protezione              | Protection device   |
| 98        | 0V2041       |                         | Protezione              | Protection device   |
| 99        | 0V2043       |                         | Protezione              | Protection device   |
| 100       | 0ZD211       | TSEI 10.9 10X50 DACRO   | Vite                    | Screw               |
| 101       | 0ZD414       | ø 8 DACRO               | Dado                    | Nut                 |
| 102       | 0E2M046-[*]  |                         | Adesivo                 | Sticker             |
| 103       | 0E146        |                         | Adesivo                 | Sticker             |
| 104       | 0E101-[*]    | (SUPER-EXECUTIVE)       | Adesivo                 | Sticker             |
| 105       | 0K404        |                         | Protezione              | Protection device   |
| 106       | 0M501        |                         | Molla                   | Spring              |
| 107       | 0P258        |                         | Tirante                 | Tie rod             |
| 108       | 0P259        |                         | Dado                    | Nut                 |
| 109       | 0Z401        | M 4                     | Dado autobloccante      | Self-locking nut    |
| 110       | 0E121-[*]    |                         | Adesivo                 | Sticker             |
| 111       | 0G355        |                         | Profilo                 | Profile             |
| 112       | 0P508        |                         | Perno                   | Pin                 |
| 113       | 0B017        |                         | Boccola                 | Bushing             |
| 114       |              |                         | Leva completa           | Complete lever      |
| 115       |              |                         | Braccio completo        | Complete arm        |
| 116       | 0B000522AA   |                         | Boccola                 | Bushing             |
| 117       | 0R000033     | L=2700                  | Cavo                    | Cable               |

| <b>Aggiungere al codice la sigla del colore desiderato</b><br><b>Complete the code with any color abbreviation from the list below</b> |  |                     |  |                               |  |                               |   |   |   |                         |   |
|--|--|---------------------|--|-------------------------------|--|-------------------------------|---|---|---|-------------------------|---|
| *  | <table border="1"> <tr> <td><b>Telaio Frame</b></td> <td><b>BN</b> = Bianco - White • <b>BL</b> = Blu - Blue • <b>GL</b> = Giallo - Yellow • <b>GR</b> = Grigio - Grey • <b>NR</b> = Nero - Black • <b>RS</b> = Rosso - Red • <b>RV</b> = Grigio REV - REV Grey • <b>AL</b> = Silver Line - Silver Line</td> </tr> <tr> <td><b>Imbottitura Upholstery</b></td> <td><b>A</b> = Verde chiaro - Light green • <b>B</b> = Blu chiaro - Light blue • <b>D</b> = Rosso - Red • <b>E</b> = Blu scuro - Dark blue • <b>F</b> = Verde scuro - Dark green • <b>G</b> = Grigio - Grey • <b>H</b> = Marrone - Brown • <b>L</b> = Nero - Black • <b>P</b> = Cuoio chiaro - Light brown • <b>R</b> = Verde chiaro - Light green • <b>S</b> = Blu - Blue</td> </tr> <tr> <td><b>Pacco pesi Weightstack</b></td> <td><b>1</b> = Verniciato nero - Black painted • <b>2</b> = Rosso - Red • <b>3</b> = Grigio - Grey • <b>4</b> = Bianco - White • <b>5</b> = Giallo - Yellow • <b>6</b> = Blu - Blue • <b>7</b> = Verde - Green • <b>8</b> = Cromato - Chromium plated</td> </tr> <tr> <td><b>Protezione pacco pesi Weightstack protection</b></td> <td><b>BN</b> = Bianco - White • <b>BL</b> = Blu - Blue • <b>GL</b> = Giallo - Yellow • <b>GR</b> = Grigio - Grey • <b>NR</b> = Nero - Black • <b>RS</b> = Rosso - Red • <b>RV</b> = Grigio REV - REV Grey • <b>AL</b> = Silver Line - Silver Line • <b>GG</b> = Antracite (Silver line) - Anthracite (Silver line)</td> </tr> <tr> <td><b>Adesivo Stickers</b></td> <td><b>B</b> = Bianco - White • <b>N</b> = Nero - Black</td> </tr> </table> | <b>Telaio Frame</b> | <b>BN</b> = Bianco - White • <b>BL</b> = Blu - Blue • <b>GL</b> = Giallo - Yellow • <b>GR</b> = Grigio - Grey • <b>NR</b> = Nero - Black • <b>RS</b> = Rosso - Red • <b>RV</b> = Grigio REV - REV Grey • <b>AL</b> = Silver Line - Silver Line | <b>Imbottitura Upholstery</b> | <b>A</b> = Verde chiaro - Light green • <b>B</b> = Blu chiaro - Light blue • <b>D</b> = Rosso - Red • <b>E</b> = Blu scuro - Dark blue • <b>F</b> = Verde scuro - Dark green • <b>G</b> = Grigio - Grey • <b>H</b> = Marrone - Brown • <b>L</b> = Nero - Black • <b>P</b> = Cuoio chiaro - Light brown • <b>R</b> = Verde chiaro - Light green • <b>S</b> = Blu - Blue | <b>Pacco pesi Weightstack</b> | <b>1</b> = Verniciato nero - Black painted • <b>2</b> = Rosso - Red • <b>3</b> = Grigio - Grey • <b>4</b> = Bianco - White • <b>5</b> = Giallo - Yellow • <b>6</b> = Blu - Blue • <b>7</b> = Verde - Green • <b>8</b> = Cromato - Chromium plated | <b>Protezione pacco pesi Weightstack protection</b> | <b>BN</b> = Bianco - White • <b>BL</b> = Blu - Blue • <b>GL</b> = Giallo - Yellow • <b>GR</b> = Grigio - Grey • <b>NR</b> = Nero - Black • <b>RS</b> = Rosso - Red • <b>RV</b> = Grigio REV - REV Grey • <b>AL</b> = Silver Line - Silver Line • <b>GG</b> = Antracite (Silver line) - Anthracite (Silver line) | <b>Adesivo Stickers</b> | <b>B</b> = Bianco - White • <b>N</b> = Nero - Black |
| <b>Telaio Frame</b>  | <b>BN</b> = Bianco - White • <b>BL</b> = Blu - Blue • <b>GL</b> = Giallo - Yellow • <b>GR</b> = Grigio - Grey • <b>NR</b> = Nero - Black • <b>RS</b> = Rosso - Red • <b>RV</b> = Grigio REV - REV Grey • <b>AL</b> = Silver Line - Silver Line   |                     |  |                               |  |                               |   |   |   |                         |   |
| <b>Imbottitura Upholstery</b>  | <b>A</b> = Verde chiaro - Light green • <b>B</b> = Blu chiaro - Light blue • <b>D</b> = Rosso - Red • <b>E</b> = Blu scuro - Dark blue • <b>F</b> = Verde scuro - Dark green • <b>G</b> = Grigio - Grey • <b>H</b> = Marrone - Brown • <b>L</b> = Nero - Black • <b>P</b> = Cuoio chiaro - Light brown • <b>R</b> = Verde chiaro - Light green • <b>S</b> = Blu - Blue   |                     |  |                               |  |                               |   |   |   |                         |   |
| <b>Pacco pesi Weightstack</b>  | <b>1</b> = Verniciato nero - Black painted • <b>2</b> = Rosso - Red • <b>3</b> = Grigio - Grey • <b>4</b> = Bianco - White • <b>5</b> = Giallo - Yellow • <b>6</b> = Blu - Blue • <b>7</b> = Verde - Green • <b>8</b> = Cromato - Chromium plated  |                     |  |                               |  |                               |   |   |   |                         |   |
| <b>Protezione pacco pesi Weightstack protection</b>  | <b>BN</b> = Bianco - White • <b>BL</b> = Blu - Blue • <b>GL</b> = Giallo - Yellow • <b>GR</b> = Grigio - Grey • <b>NR</b> = Nero - Black • <b>RS</b> = Rosso - Red • <b>RV</b> = Grigio REV - REV Grey • <b>AL</b> = Silver Line - Silver Line • <b>GG</b> = Antracite (Silver line) - Anthracite (Silver line)  |                     |  |                               |  |                               |   |   |   |                         |   |
| <b>Adesivo Stickers</b>  | <b>B</b> = Bianco - White • <b>N</b> = Nero - Black  |                     |  |                               |  |                               |   |   |   |                         |   |
| *  | <b>Aggiungere al codice la sigla della lingua desiderata</b><br><b>Complete the code with any language abbreviation from the list below</b><br><b>ITA</b> = Italiano - Italian • <b>ING</b> = Inglese - English • <b>FRA</b> = Francese - French • <b>TED</b> = Tedesco - German • <b>OLA</b> = Olandese - Dutch   |                     |  |                               |  |                               |   |   |   |                         |   |